



**EXTERNAL SWAGE
LIGHT DUTY INDUSTRIAL
HOSE FERRULES - LD**



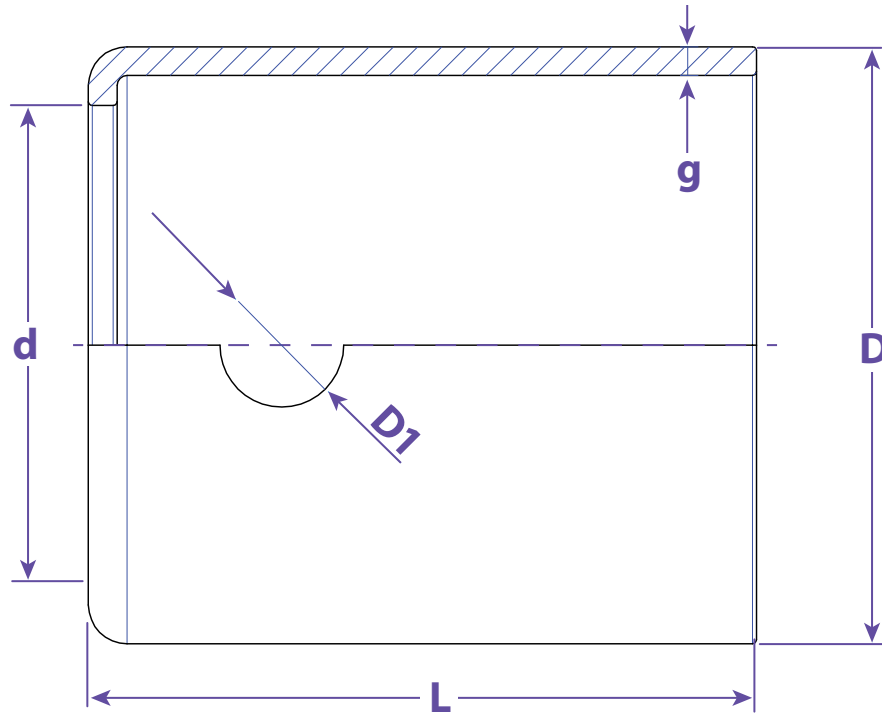
BLACK STEEL

FEATURES & APPLICATIONS:

- Use with Industrial HD Male Stems
- When used with corresponding HD Male Stems, provide a permanent end connection to rubber industrial hoses for use in the toughest applications.
- Hose applications: Tank Truck, Chemical, Mud Suction, OS&D, Oil Discharge, Frac-Tank, Water Discharge, Water Suction, Water Jetting, Hot Tar & Asphalt, Material Handling, Textile Air, Wire Air, Petroleum and Marine

BLACK STEEL						
I.D.	HOSE OD SIZE RANGE	FERRULE SIZE			FWT	BLACK STEEL #
		OD	ID	LG		
1-1/2"	1-15/16" to 2"	2.40"	2.14"	2.8"	---	LD150-1
1-1/2"	2-1/64" to 2-1/8"	2.50"	2.26"	2.8"	---	LD150-2
1-1/2"	2-9/64" to 2-1/4"	2.60"	2.38"	2.8"	---	LD150-3
2"	2-9/16" to 2-5/8"	3.04"	2.75"	3.4"	---	LD200-1
2"	2-41/64" to 2-3/4"	3.14"	2.88"	3.4"	---	LD200-2
2"	2-49/64" to 2-7/8"	3.26"	3.01"	3.4"	---	LD200-3
2-1/2"	3-1/16" to 3-1/8"	3.55"	3.25"	3/7"	---	LD250-1
2-1/2"	3-9/64" to 3-1/4"	3.64"	3.35"	3.9"	---	LD250-2
3"	3-9/16" to 3-5/8"	4.00"	3.72"	4.6"	---	LD300-1
3"	3-41/64" to 3-3/4"	4.16"	3.87"	4.6"	---	LD300-2
3"	3-49/64" to 3-7/8"	4.26"	3.92"	4.6"	---	LD300-3
4"	4-5/8" to 4-11/16"	5.25"	4.95"	5.2"	---	LD400-1
4"	4-45/64" to 4-13/16"	5.38"	5.07"	5.4"	---	LD400-2
4"	4-53/64" to 4-15/16"	5.50"	5.13"	5.4"	---	LD400-3

Information contained on this page is for general information purposes only. Seal Fast Inc. assumes no responsibility for errors or omissions for this product.



Dimensions

L	D1	D	d	g	Part #
2.80	0.4724	2.40	1.8110	0.1299	LD150-1
2.80	0.4724	2.50	1.8110	0.1181	LD150-2
2.80	0.4724	2.60	1.8110	0.1102	LD150-3
3.40	0.6299	3.04	2.4409	0.1457	LD200-1
3.40	0.6299	3.14	2.4409	0.1299	LD200-2
3.40	0.6299	3.26	2.4409	0.1260	LD200-3
3.70	0.6299	3.55	2.9528	0.1469	LD250-1
3.90	0.6299	3.64	2.9528	0.1457	LD250-2
4.60	0.6299	4.00	3.5827	0.1417	LD300-1
4.60	0.6299	4.16	3.5827	0.1457	LD300-2
4.60	0.6299	4.26	3.5827	0.1693	LD300-3
5.20	0.6299	5.25	4.5669	0.1496	LD400-1
5.40	0.6299	5.38	4.5669	0.1535	LD400-2
5.40	0.6299	5.50	4.5669	0.1850	LD400-3

TITLE LIGHT DUTY INDUSTRIAL HOSE FERRULES - LD

DISCLAIMER

All drawings and specifications are subject to change without notice. Drawings represent general dimensions of our products. Seal Fast cannot guarantee the dimensions of the part will exactly match those in the drawing. This drawing is the property of Seal Fast Inc. Copying or reproduction of this drawing is expressly prohibited.

MATERIAL

Black Steel

DRAWING NOT TO SCALE

PART #

LD...

